

PRODUCT DATA SHEET

Standing: 2024-03-28

LAUDA Ultracool UC 8 Circulation chiller
400 V; 3/PE; 50 Hz & 460 V; 3/PE; 60 Hz
Part Number: L002853

Features

- Highly efficient industrial chiller
- LCD remote control with 5 m cable
- Operation possible via web server
- Electronic 2-point temperature control
- Protection level IP 54 (for outdoor installation)
- Industrial block pump with high pressure and high flow rate
- Integrated water filter
- Integrated Ethernet interface
- Inlet and outlet water connections in stainless steel
- Operates with non flammable liquids (water, water/glycol)
- Meeting the energy efficiency requirements of the EcoDesign directive 2009/125/EC
- Condenser cooling Air



Working temperature min.
-10 °C



Working temperature max.
35 °C

LAUDA DR. R. WOBSEY GMBH & CO. KG
Laudaplatz 1 • 97922 Lauda-Königshofen • DE

T + 49 (0) 9343 503-0
info@lauda.de • www.lauda.de
WEEE-Reg.-Nr.: DE 66 42 40 57

Kommanditgesellschaft: Sitz Lauda-Königshofen
Registergericht Mannheim • HRA 560069

Persönlich haftende Gesellschafterin:
LAUDA DR. R. WOBSEY Verwaltungs-GmbH
Sitz Lauda-Königshofen
Registergericht Mannheim • HRB 560226

Geschäftsführer:
Dr. Gunther Wobser (Vors.), Dr. Mario Englert,
Dr. Ralf Hermann, Dr. Marc Stricker
Beirat: Dr. Gerhard Wobser

PRODUCT DATA SHEET

Standing: 2024-03-28

LAUDA Ultracool UC 8 Circulation chiller
 400 V; 3/PE; 50 Hz & 460 V; 3/PE; 60 Hz
 Part Number: L002853

Technical Features

Working temperature range	-10 ... 35 °C
Ambient temperature range	-15 ... 50 °C
Temperature stability	0.5 ± K
Filling volume max.	35 L
Pump Pressure max.	3,9 bar (50 Hz), 5,6 bar (60 Hz)
Pump Pressure nominal	3.5 bar (50 Hz); 5.2 bar (60 Hz)
Pump flow rate max. (pressure)	105 L/min (50 Hz); 128 L/min (60 Hz)
Pump flow rate nominal	26.6 L/min
In / Outlet connection thread (inside)	Rp 1
Overall dimensions (WxDxH)	720 x 910 x 1280 mm
Weight	152 kg
Noise level	61 dB(A)
Refrigerant stage 1	R-410A (GWP 2088); 1.300 kg; 2.7 t CO2-eq
SEPR	6.44
Power supply	400 V; 3/PE; 50 Hz & 460 V; 3/PE; 60 Hz
Power plug	---

Reserve technical changes

LAUDA DR. R. WOBSEY GMBH & CO. KG
 Laudaplatz 1 • 97922 Lauda-Königshofen • DE

T + 49 (0) 9343 503-0
 info@lauda.de • www.lauda.de
 WEEE-Reg-Nr.: DE 66 42 40 57

Kommanditgesellschaft: Sitz Lauda-Königshofen
 Registergericht Mannheim • HRA 560069

Persönlich haftende Gesellschafterin:
 LAUDA DR. R. WOBSEY Verwaltungs-GmbH
 Sitz Lauda-Königshofen
 Registergericht Mannheim • HRB 560226

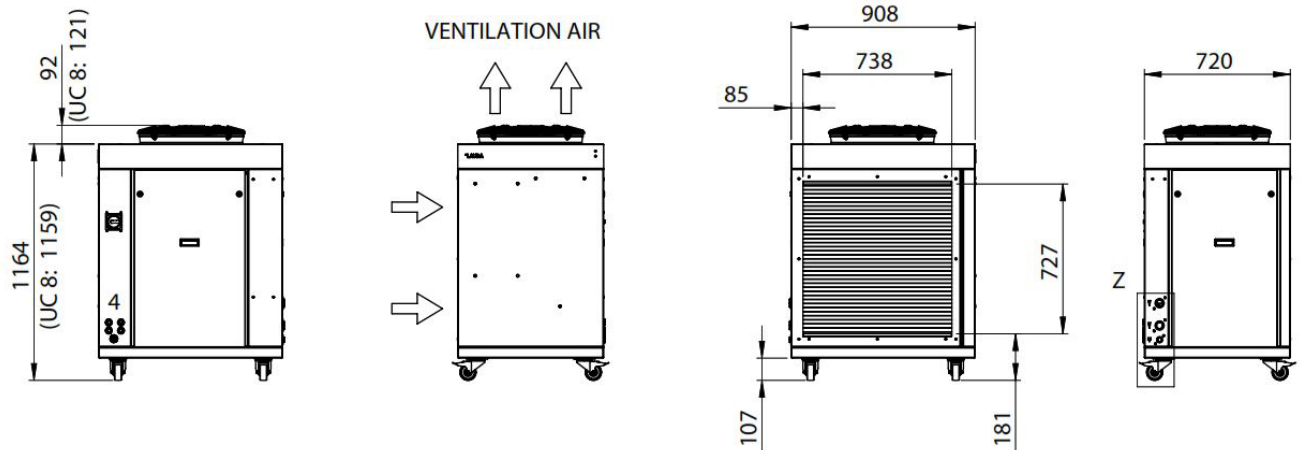
Geschäftsführer:
 Dr. Gunther Wobser (Vors.), Dr. Mario Englert,
 Dr. Ralf Hermann, Dr. Marc Stricker
 Beirat: Dr. Gerhard Wobser

PRODUCT DATA SHEET

Standing: 2024-03-28

LAUDA Ultracool UC 8 Circulation chiller
 400 V; 3/PE; 50 Hz & 460 V; 3/PE; 60 Hz
 Part Number: L002853

Temperature	Cooling Capacity 50 Hz	Cooling Capacity 60 Hz
25 °C	13.3 kW	13.3 kW
20 °C	13.3 kW	13.3 kW
15 °C	12 kW	12 kW
10 °C	10.2 kW	10.2 kW
5 °C	8.5 kW	8.5 kW
0 °C	7 kW	7 kW
-5 °C	5.4 kW	5.4 kW
-10 °C	4.4 kW	4.4 kW



Reserve technical changes

LAUDA DR. R. WOBSEY GMBH & CO. KG
 Laudaplatz 1 • 97922 Lauda-Königshofen • DE

T + 49 (0) 9343 503-0
 info@lauda.de • www.lauda.de
 WEEE-Reg-Nr.: DE 66 42 40 57

Kommanditgesellschaft: Sitz Lauda-Königshofen
 Registergericht Mannheim • HRA 560069

Persönlich haftende Gesellschafterin:
 LAUDA DR. R. WOBSEY Verwaltungs-GmbH
 Sitz Lauda-Königshofen
 Registergericht Mannheim • HRB 560226

Geschäftsführer:
 Dr. Gunther Wobser (Vors.), Dr. Mario Englert,
 Dr. Ralf Hermann, Dr. Marc Stricker
 Beirat: Dr. Gerhard Wobser