

PRODUCT DATA SHEET

Published: 2026-06-22

LAUDA Ultracool UC 14 W Circulation chiller
400 V; 3/PE; 50 Hz & 460 V; 3/PE; 60 Hz
Part Number: L003291

Features

- Highly efficient industrial chiller
- LCD remote control with 5 m cable
- Operation possible via web server
- Electronic 2-point temperature control
- Protection level IP 54 (for outdoor installation)
- Industrial block pump with high pressure and high flow rate
- Integrated water filter
- Integrated Ethernet interface
- Inlet and outlet water connections in stainless steel
- Operates with non flammable liquids (water, water/glycol)
- Meeting the energy efficiency requirements of the EcoDesign directive 2009/125/EC
- Condenser cooling Water

Options included

- Water cooled version (W)



Working temperature min.
-10 °C



Working temperature max.
35 °C

LAUDA DR. R. WOBSEY GMBH & CO. KG
Laudaplatz 1 • 97922 Lauda-Königshofen • DE

T + 49 (0) 9343 503-0
info@lauda.de • www.lauda.de
WEEE-Reg.-Nr.: DE 66 42 40 57

Kommanditgesellschaft: Sitz Lauda-Königshofen
Registergericht Mannheim • HRA 560069

Persönlich haftende Gesellschafterin:
LAUDA DR. R. WOBSEY Verwaltungs-GmbH
Sitz Lauda-Königshofen
Registergericht Mannheim • HRB 560226

Geschäftsführer:
Dr. Gunther Wobser (Vors.), Dr. Mario Englert,
Dr. Marc Stricker
Beirat: Dr. Gerhard Wobser

PRODUCT DATA SHEET

Published: 2026-06-22

LAUDA Ultracool UC 14 W Circulation chiller
 400 V; 3/PE; 50 Hz & 460 V; 3/PE; 60 Hz
 Part Number: L003291

Technical Features

Working temperature range	-10 ... 35 °C
Ambient temperature range	-20 ... 50 °C
Temperature stability	0.5 ± K
Filling volume max.	35 L
Pump Pressure max.	3,9 bar (50 Hz), 5,6 bar (60 Hz)
Pump Pressure nominal	3.2 bar (50 Hz); 5.0 bar (60 Hz)
Pump flow rate max. (pressure)	105 L/min (50 Hz); 128 L/min (60 Hz)
Pump flow rate nominal	43.8 L/min
In / Outlet connection thread (inside)	Rp 1
Water cooling connection thread (inside)	Rp 1
Overall dimensions (WxDxH)	720 x 910 x 1250 mm
Weight	172 kg
Noise level	64.7 dB(A)
Refrigerant stage 1	R-410A (GWP 2088); 2.000 kg; 4.2 t CO ₂ -eq
SEPR	7.14
Power supply	400 V; 3/PE; 50 Hz & 460 V; 3/PE; 60 Hz
Power plug	---

Reserve technical changes

LAUDA DR. R. WOBSEY GMBH & CO. KG
 Laudaplatz 1 • 97922 Lauda-Königshofen • DE

T + 49 (0) 9343 503-0
 info@lauda.de • www.lauda.de
 WEEE-Reg.-Nr.: DE 66 42 40 57

Kommanditgesellschaft: Sitz Lauda-Königshofen
 Registergericht Mannheim • HRA 560069

Persönlich haftende Gesellschafterin:
 LAUDA DR. R. WOBSEY Verwaltungs-GmbH
 Sitz Lauda-Königshofen
 Registergericht Mannheim • HRB 560226

Geschäftsführer:
 Dr. Gunther Wobser (Vors.), Dr. Mario Englert,
 Dr. Marc Stricker
 Beirat: Dr. Gerhard Wobser

PRODUCT DATA SHEET

Published: 2026-06-22

LAUDA Ultracool UC 14 W Circulation chiller
400 V; 3/PE; 50 Hz & 460 V; 3/PE; 60 Hz
Part Number: L003291

Temperature	Cooling Capacity 50 Hz	Cooling Capacity 60 Hz
25 °C	22.4 kW	22.4 kW
20 °C	20.3 kW	20.3 kW
15 °C	18.4 kW	18.4 kW
10 °C	15.8 kW	15.8 kW
5 °C	13.4 kW	13.4 kW
0 °C	11.1 kW	11.1 kW
-5 °C	9.3 kW	9.3 kW
-10 °C	7.6 kW	7.6 kW

Reserve technical changes

LAUDA DR. R. WOBSEY GMBH & CO. KG
Laudaplatz 1 • 97922 Lauda-Königshofen • DE

T + 49 (0) 9343 503-0
info@lauda.de • www.lauda.de
WEEE-Reg.-Nr.: DE 66 42 40 57

Kommanditgesellschaft: Sitz Lauda-Königshofen
Registergericht Mannheim • HRA 560069

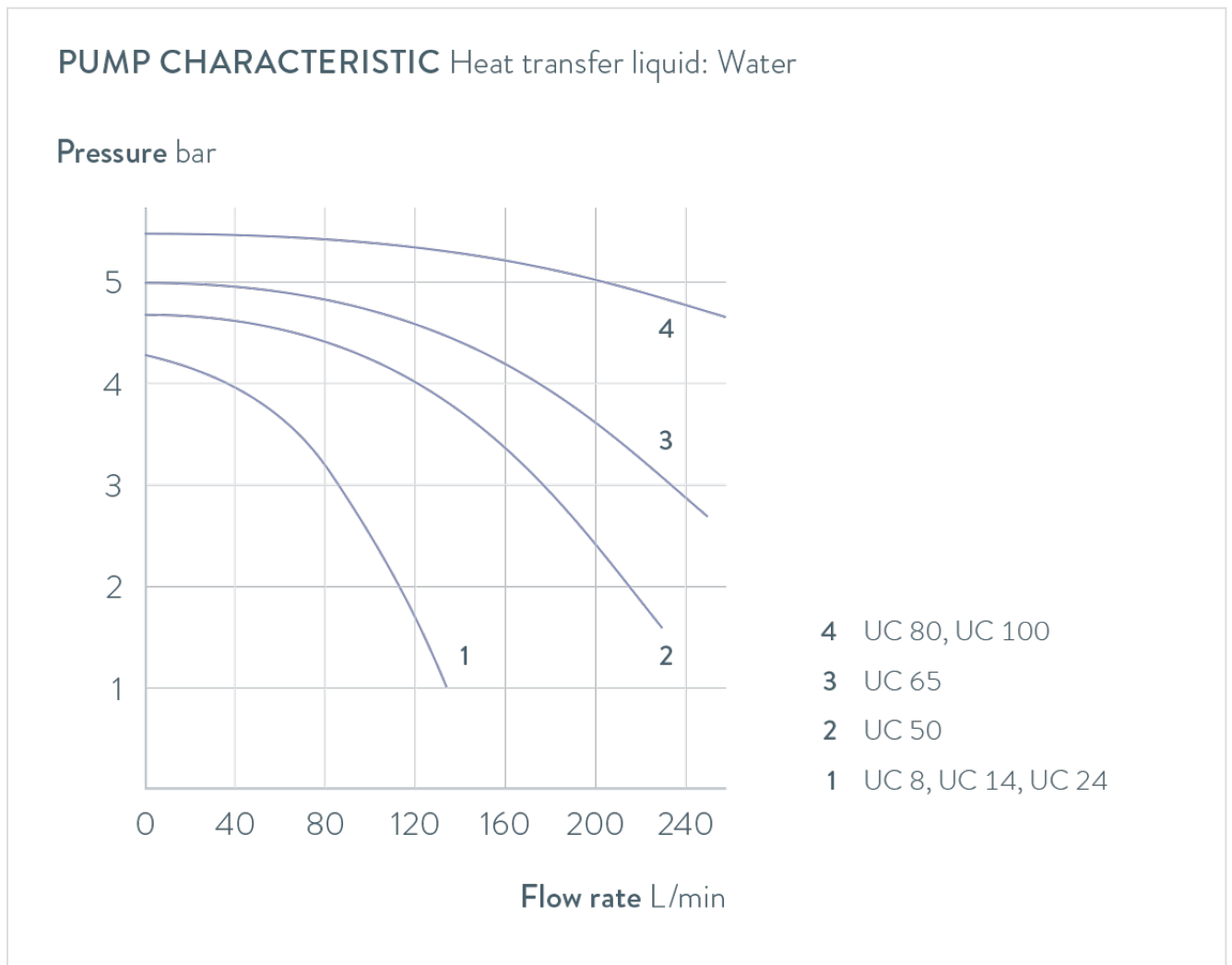
Persönlich haftende Gesellschafterin:
LAUDA DR. R. WOBSEY Verwaltungs-GmbH
Sitz Lauda-Königshofen
Registergericht Mannheim • HRB 560226

Geschäftsführer:
Dr. Gunther Wobser (Vors.), Dr. Mario Englert,
Dr. Marc Stricker
Beirat: Dr. Gerhard Wobser

PRODUCT DATA SHEET

Published: 2026-06-22

LAUDA Ultracool UC 14 W Circulation chiller
 400 V; 3/PE; 50 Hz & 460 V; 3/PE; 60 Hz
 Part Number: L003291



Reserve technical changes

LAUDA DR. R. WOBSEY GMBH & CO. KG
 Laudaplatz 1 • 97922 Lauda-Königshofen • DE

T + 49 (0) 9343 503-0
 info@lauda.de • www.lauda.de
 WEEE-Reg-Nr.: DE 66 42 40 57

Kommanditgesellschaft: Sitz Lauda-Königshofen
 Registergericht Mannheim • HRA 560069

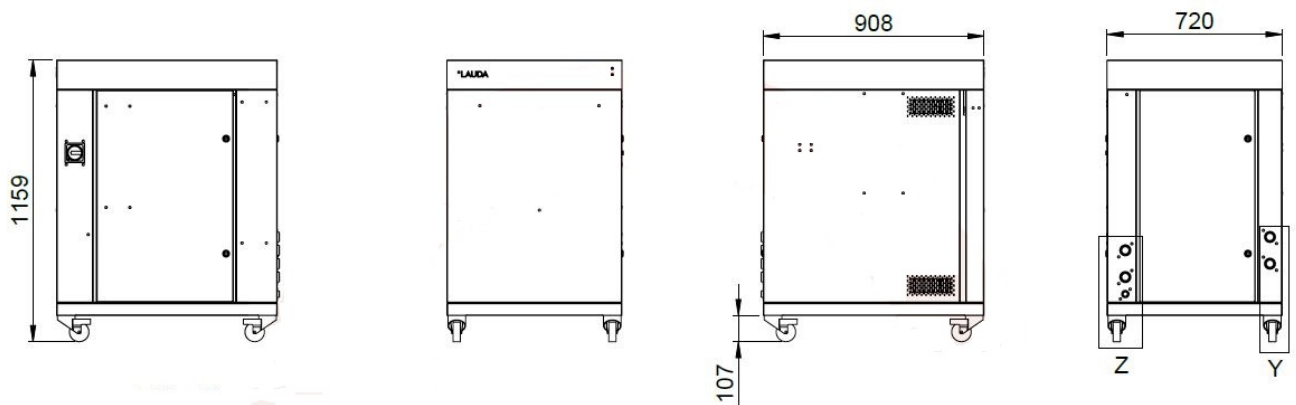
Persönlich haftende Gesellschafterin:
 LAUDA DR. R. WOBSEY Verwaltungs-GmbH
 Sitz Lauda-Königshofen
 Registergericht Mannheim • HRB 560226

Geschäftsführer:
 Dr. Gunther Wobser (Vors.), Dr. Mario Englert,
 Dr. Marc Stricker
 Beirat: Dr. Gerhard Wobser

PRODUCT DATA SHEET

Published: 2026-06-22

LAUDA Ultracool UC 14 W Circulation chiller
 400 V; 3/PE; 50 Hz & 460 V; 3/PE; 60 Hz
 Part Number: L003291



LAUDA DR. R. WOBSEY GMBH & CO. KG
 Laudaplatz 1 • 97922 Lauda-Königshofen • DE

T + 49 (0) 9343 503-0
 info@lauda.de • www.lauda.de
 WEEE-Reg-Nr.: DE 66 42 40 57

Kommanditgesellschaft: Sitz Lauda-Königshofen
 Registergericht Mannheim • HRA 560069

Persönlich haftende Gesellschafterin:
 LAUDA DR. R. WOBSEY Verwaltungs-GmbH
 Sitz Lauda-Königshofen
 Registergericht Mannheim • HRB 560226

Geschäftsführer:
 Dr. Gunther Wobser (Vors.), Dr. Mario Englert,
 Dr. Marc Stricker
 Beirat: Dr. Gerhard Wobser